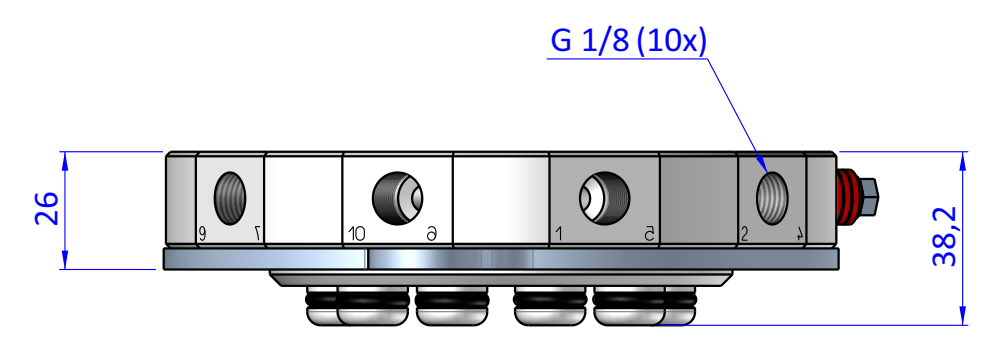
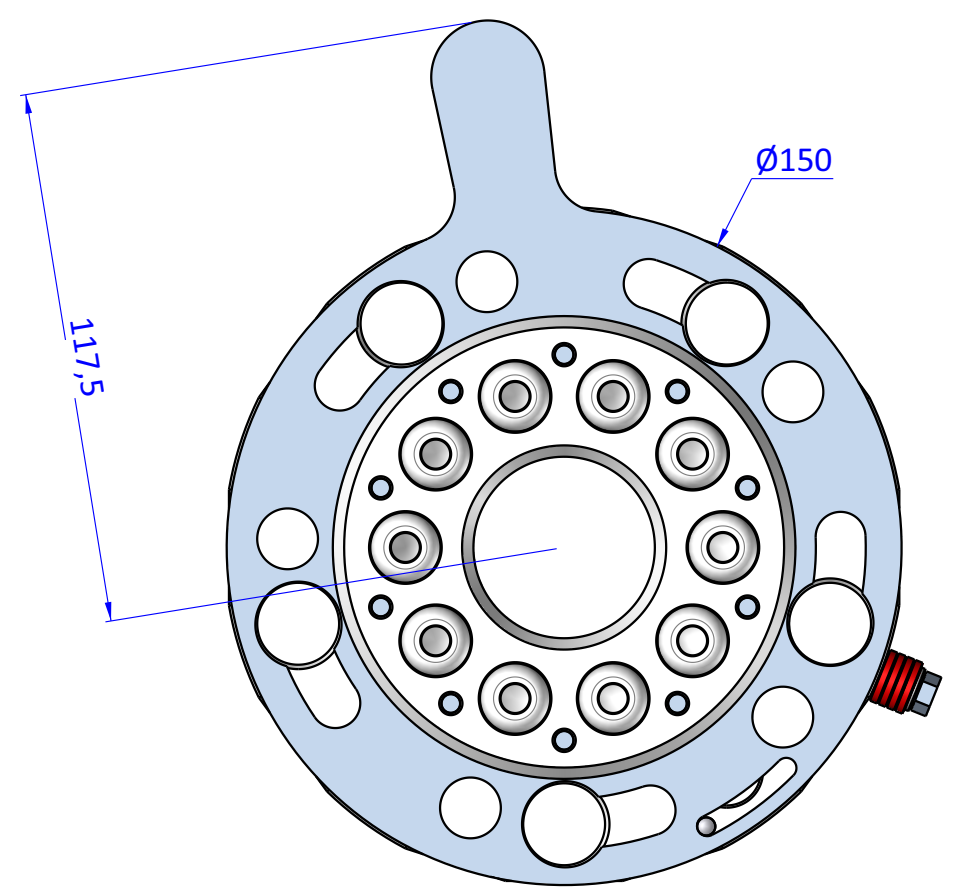
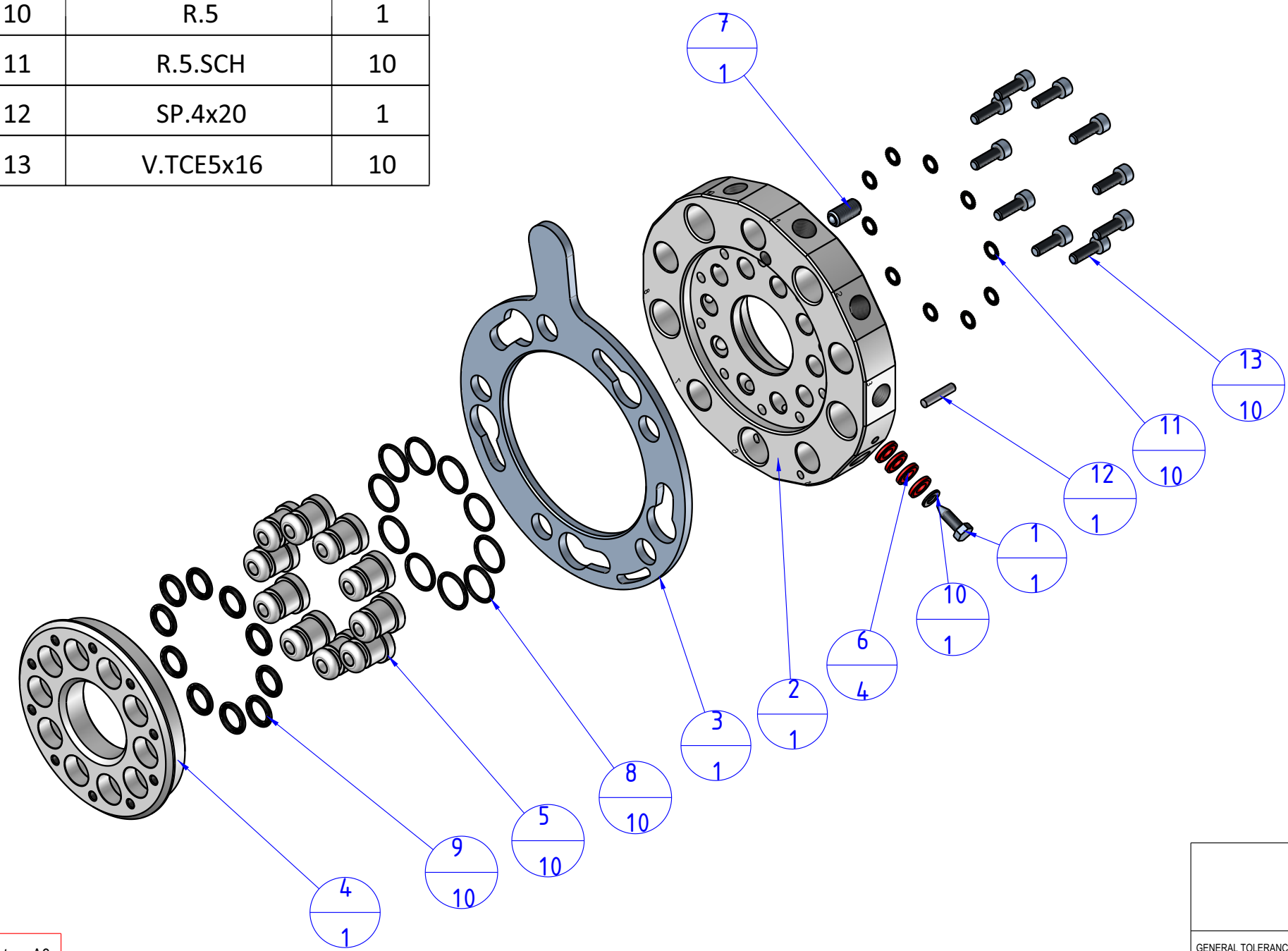



THE PROPERTY OF THE DRAWING IS ESTABLISHED BY LAW. IT IS FORBIDDEN TO PRODUCE OR SHOW IT TO THIRD PART - WITHOUT A WRITTEN AGREEMENT.

Item	Name	Q.ty
1	01.01.001.08	1
2	01.01.003.01	1
3	01.01.003.02.L	1
4	01.01.003.03	1
5	01.01.003.04	10
6	CUDL.150.06	4
7	EL.GN.33131	1
8	OR.2062	10
9	OR.3043	10
10	R.5	1
11	R.5.SCH	10
12	SP.4x20	1
13	V.TCE5x16	10



Format A3
UNI 936-76

 FPS FPSERVICES AUTOMATION		DESIGNED FROM		REVIEW
		FPS Automation		A
GENERAL TOLERANCE		DATE		WEIGHT
UNI - ISO 2768		06/05/2022		1,153kg
CLASSE f		CODE		
		CA.01.01.003		CA.01.01.003